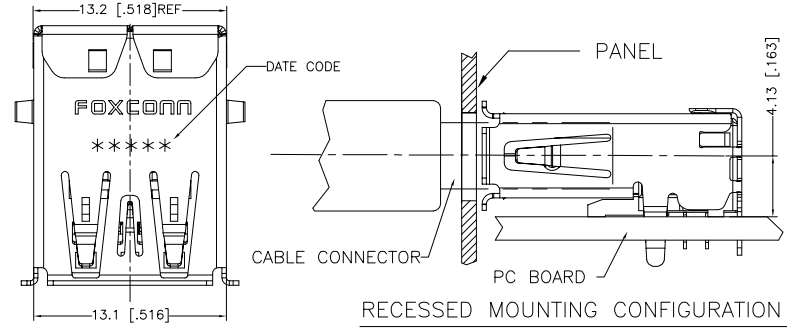
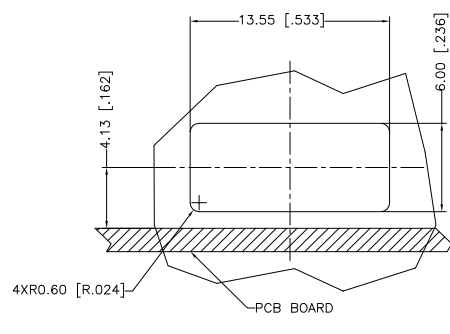


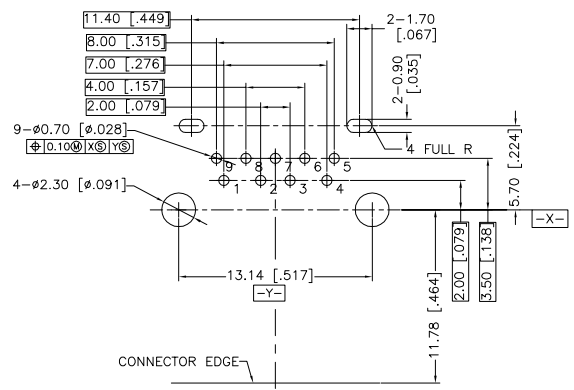
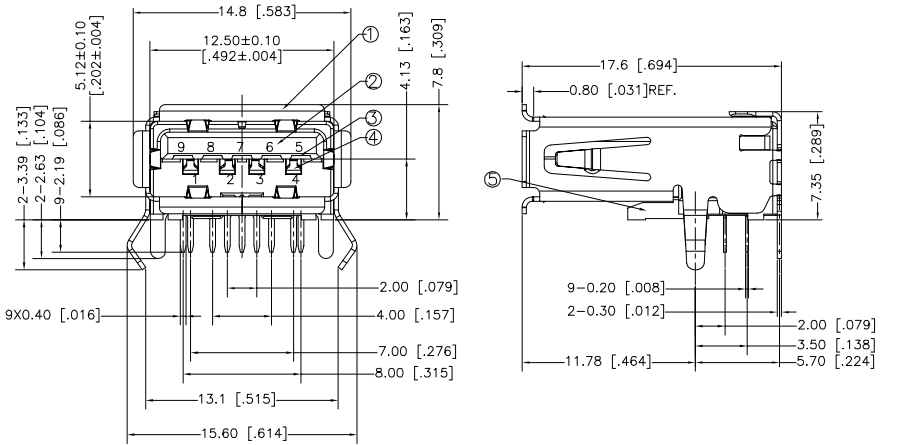
REV.	ECN. NO.	APPD.
A	BC-15-0016485	Adward Zheng
B	BC-15-0019742	Adward Zheng



RECESSED MOUNTING CONFIGURATION



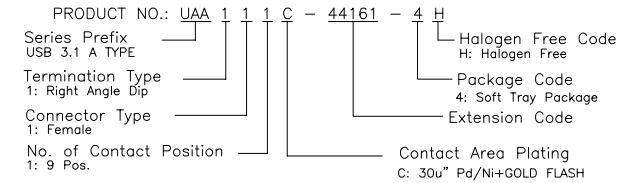
MOUNTING PANEL CUTOUT
(INTERNAL SIDE)



RECOMMENDED P.C.B LAYOUT (COMPONENT SIDE)
PCB THICKNESS: 1.60±0.05[.063±.002]mm
DEFAULT TOLERANCE: ±0.05[.002]

NOTES :

- ELECTRICAL CHARACTERISTIC:
 - CONTACT CURRENT RATING:
1.8 A FOR VBUS PIN AND ITS CORRESPONDING GND PIN,
0.25 A MIN FOR ALL OTHER CONTACTS.
 - CONTACT RESISTANCE: 30 MILLIOHMS MAX. FOR VBUS AND
GND CONTACTS. 50 MILLIOHMS MAX. FOR OTHER CONTACTS.
 - DIELECTRIC WITHSTANDING VOLTAGE: 100VAC MIN.
 - INSULATION RESISTANCE: 100 MEGOHMS MIN.
- MECHANICAL CHARACTERISTIC:
 - CONNECTOR INSERTION FORCE: 35N MAX.
AT A MAXIMUM RATE OF 12.5MM PER MINUTE.
 - CONNECTOR EXTRACTION FORCE: 10N MIN INITIAL,
8N MIN AFTER DURABILITY.
AT A MAXIMUM RATE OF 12.5MM PER MINUTE.
 - DURABILITY: 5000 CYCLES.
 - OPERATING TEMPERATURE: -55°C ~ +85°C.
- DIMENSIONS ARE IN MILLIMETERS, BRACKETED DIMENSIONS
ARE INCHES EQUIVALENTS.
- RECOMMENED PROCESS: WAVE SOLDER 260°C, 3~5SECONDS.
- THE CONNECTOR IS ROHS & HALOGEN FREE COMPLIANT.



PIN ASSIGNMENT:

Pin No.	1	2	3	4	5	6	7	8	9
Signal Name	VBUS	D-	D+	GND	SSRX-	SSRX+	GND_DRAIN	SSTX-	SSTX+
Remark	USB2.0 Contact Pin				USB3.1 Contact Pin				

NO.	DESCRIPTION	QTY.	MATERIAL	TREATMENT
⑤	FRAME	1	PA66,30% G.F. UL 94V-0	MOLDED COLOR: BLACK.
④	USB2 CONTACT	4	BRASS	100u" Min NICKEL UNDERPLATING OVERALL; 30u" Min PALLADIUM/NICKEL +1u" Min GOLD AT CONTACT AREA; 100u" Min TIN ALLOY PLATED AT TERMINATION.
③	USB3 CONTACT	5	BRASS	
②	INNER INSULATOR	1	PA66,30% G.F. UL 94V-0	MOLDED COLOR: BLUE(PANTONE:PANTONE 300C).
①	SHELL	1	STAINLESS STEEL	10 u" Min NICKEL PLATED OVERALL, 50u" Min TIN ALLOY PLATED AT KINK AND TAB

X. ±	X° ±	UNITS	NAME(INTENDED USE)	FOXCONN® FOXCONN INTERCONNECT TECHNOLOGY LIMITED.
.X ± 0.38[.015]	.X° ±	mm[inch]	CUSTOMER	
.XX ± 0.25[.010]	.XX° ±	N/A	PART NO.(INTENDED USE)	CLASS: <input type="checkbox"/> CONFIDENTIAL <input type="checkbox"/> SECRET <input checked="" type="checkbox"/> GENERAL
.XXX ±	.XXX° ±	FINISH	UAA111C-44161-4H	TITLE: USB3.1 SINGLE RIGHT ANGLE
THESE DRAWINGS AND SPECIFICATIONS ARE THE PROPERTY OF FOXCONN INTERCONNECT TECHNOLOGY LIMITED. AND SHALL NOT BE REPRODUCED COPIED OR USED IN ANY MANNER WITHOUT THE PRIOR WRITTEN CONSENT OF FOXCONN INTERCONNECT TECHNOLOGY LIMITED.			APPD: Dean Zhang 4/30'15	DWG NO.: 327-0000-3129
			Q'TY N/A	CHKD: Richard Yu 4/30'15
			DR: Sandy.Guo 4/30'15	SCALE SHEET REV. N/A 1/1 B